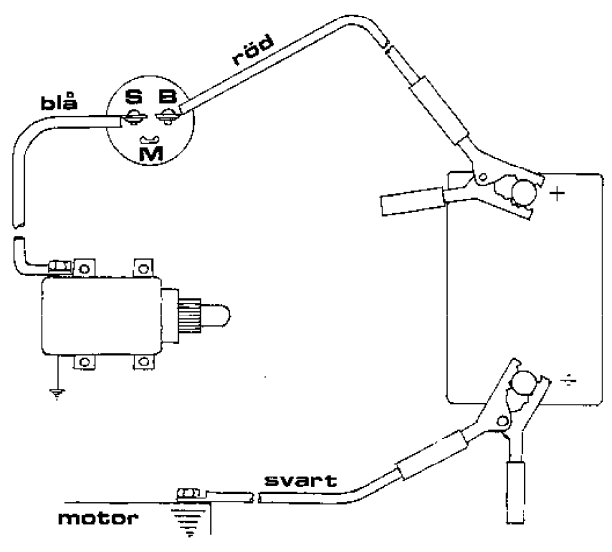


test

KOPPLINGSSCHEMA



**STIGA**  
 288A  
 SPARE PARTS

## Section: 825, 828, 1232 REMOTE CHUTE LIGHT EL.STARTER

Pos.	Quantity		Spare part No	Description	Kit	Notes	New
		1815 1817 1822					
1	1	1	1812-0577-01	Chute deflector			
2	1	1	1812-0574-01	Spring			
3	3	3	9988-3619-16	Screw			
4	3	3	9743-3621-32	Nut			
5	1	1	1812-0667-01	Plastic washer			
6	1	1	1812-0576-01	Chute			
6	1	1	1812-0829-01	Chute extension			
7	1	1	1812-0581-01	Bracket			
8	1	1	9988-3613-16	Screw			
9	1	1	9743-3621-32	Nut			
10	1	1	1812-0629-01	Screw			
11	1	1	1811-0421-01	Nut			
12	1	1	9988-3525-16	Screw			
13	2	2	9743-3521-32	Nut			
14	1	1	1812-0580-01	Cable holder			
15		1	9987-5157-12	Screw			
15	1		9987-5189-12	Screw			
16	1	1	1812-0578-01	Cable			
17	1	1	1812-0508-01	Gummi gasket			
18	3	3	1812-0510-01	Rivet			
19	3	3	1812-0729-01	Flat washer			
20	1	1	9699-0028-02	Flat washer			
A01	1	1	1812-0579-01	Head lamp			
A02	1	1	1812-0653-01	.Light housing			
A03	1	1	1812-0639-01	.Sealed beam			
A04	1	1	1812-0723-01	Bolt w/hole			
A05	1	1	9677-0009-02	Lock washer			
A06	1	1	1812-0659-01	Light bracket			
A07	1	1	9988-3651-12	Screw			
A08	1	1	9683-0030-02	Lock washer			
A09	2	2	9795-3631-02	Nut			
A10	1	1	1812-0721-01	Amp. terminal male			
A11	1	1	1812-0722-01	Insulator			
A12	1	1	1812-0652-01	Amp. terminal femal			
A13	1	1	1812-0621-01	Cable			
B01		1	1134-2848-01	Ignition key			
B02		1	1812-0278-01	Nut			
B03		1	1812-0277-01	Lock washer			
B04		1	1812-0276-01	Ignition switch			
B05		1	1812-0312-01	Cable harness			
B06		1	..18-1923-13	El.starter (12 volt			